

## Dual Cash Drawer Alarm / Receipt Printer Alarm

### Overview:



The POS108 splits the cash drawer port of the receipt printer to support 2 cash drawer port connections. It monitors whether a cash drawer is left open for a selected period of time and an electronic buzzer alarm will sound until the cash drawer is closed. The POS108 can also sound the electronic buzzer alarm at the end of a printed receipt. The POS108 uses the RJ12 cash drawer port of the printer for its power and for its trigger of both cash drawer pulses. The POS108 has a built-in Push Button Alarm Shut Off Option for the print receipt alarm function. Options are selected using dip-switches.

**The POS108 is Both a Cash Drawer Alarm and a Print Receipt Alarm. Helps to Prevents Till Tapping and Theft. Easy to install. No tools or software changes needed. Plug and Play.**

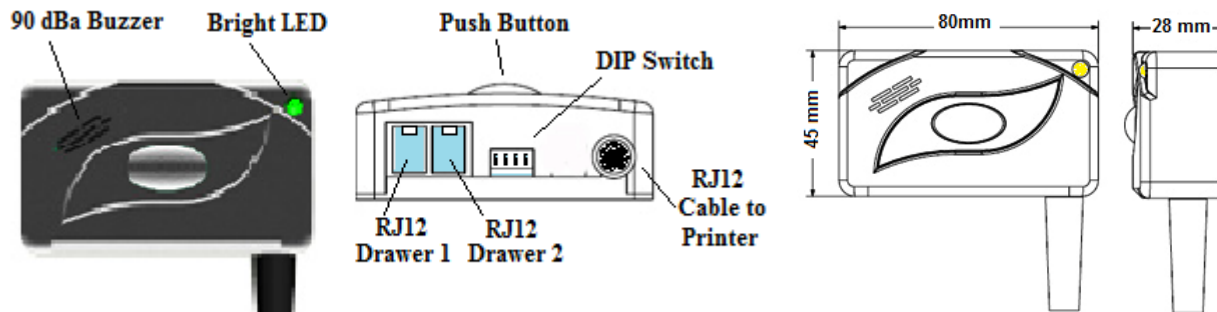
### Typical Applications:

- Retail Stores
- Restaurants
- Bars
- Clubs
- Hotels

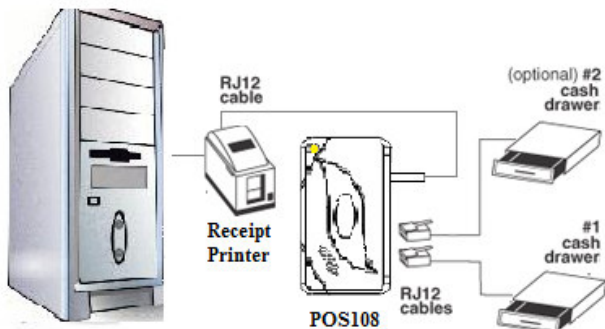
### Features:

- Helps Prevent Till -tapping and Theft
- Alarm and LED flashing when Cash Drawer is Left Open or when Receipt is Printed
- Splits one RJ12 Receipt Printer Cash Drawer port to Two RJ12 Cash Drawer ports
- No External Power Supply Needed
- No Special Software needed
- Functions with all EPSON, Star, Citizen, IBM and other compatible Receipt Printers
- Easy to Install, no tools needed, Velcro strip provided for easy mounting
- Supports External Buzzer & Push Button option

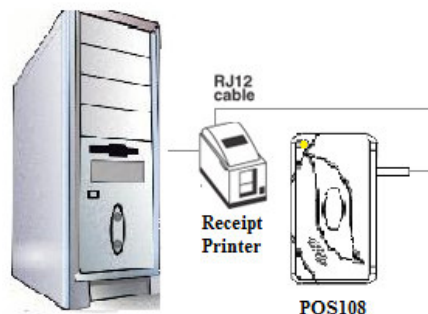
### POS 108 Dimension Views:



POS 108 Connection Views:



Typical connection for Cash Drawer Alarm Option



Typical connection for Printer Alarm Option

Technical Specifications

<b>POS 108</b>	
<b>Selectable modes using Dip Switches</b>	Cash Drawer Alarm (Until Drawer is closed) Cash Drawer Alarm (Until Drawer is closed or Max 1 Min. On) Print Receipt Alarm (Selectable 1 - 10 seconds On) Print Receipt Alarm (On until Push Button to Shut-off)
<b>Power</b>	Power from RJ12 cash drawer port on receipt printer
<b>Current</b>	10 - 100 mA typical current used by device only
<b>Drawer Connectors</b>	2 x RJ12 , Drawer 1 & Drawer 2
<b>Dimensions</b>	80 x 45 x 28.5 mm (WxDxH) 150 gm
<b>RJ12 Cable Length</b>	180 cm (6 Feet)
<b>Humidity / Temp.</b>	10% - 90% relative humidity , -20C to 55C
<b>Printers Supported</b>	Star/ Epson/ Citizen/ IBM and compatible printers with RJ12 drawer port (2 Drawer function is limited to Printer options)
<b>Piezo Electric Buzzer</b>	4.5 kHz @ 90 dBA at 30 cm, External Buzzer connection option
<b>Drawer Triggers</b>	The Drawers are triggered by the Cash Drawer pulse from the RJ12 of Receipt Printer Cash Drawer port. (2 Drawer function is limited to Printer options)
<b>Drawer Alarm</b>	Alarm will sound if either drawers are left open manually or by the printer trigger. Cash Drawer must have an RJ12 cable with a drawer normally open switch for the Drawer Alarm to function
<b>Printer Alarm</b>	The printer alarm is triggered by the Cash Drawer pulse from the RJ12 of Receipt Printer Cash Drawer port. NO Drawer needed, External Push Button Connection option
<b>Operating System</b>	Not dependent on any operating system or software
<b>Warranty</b>	2 year



\*Specifications are subject to change without notice